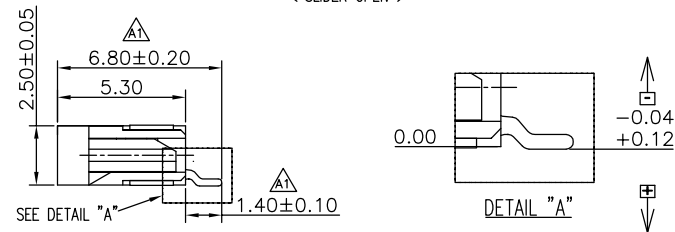
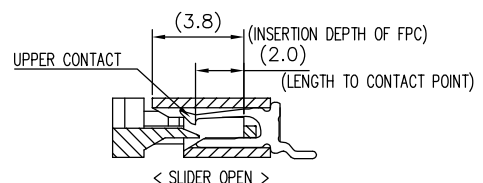
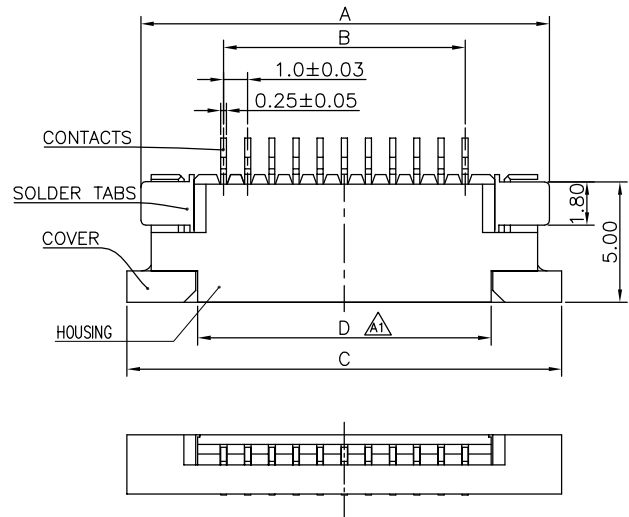


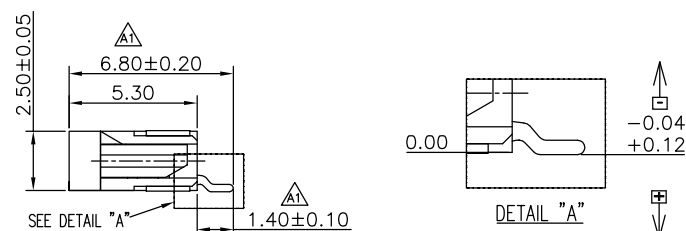
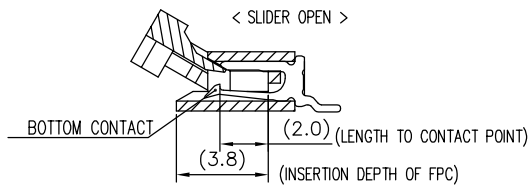
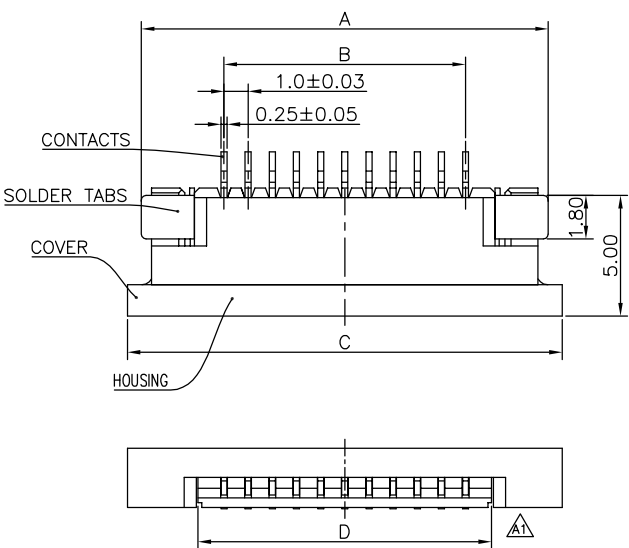
The product using material and processing must conform to the "WI-PZ-001"HSF technical standard control requirements

UPPER CONTACT



NOTE:
 1.MATERIAL SPECIFICATION:
 1-1.HOUSING: PA9T,UL94-V0,
 1-2.COVER: PPS,UL94-V0,BLACK
 1-3.CONTACTS: PHOSPHOR BRONZE
 1-4.SOLDER TABS: BRASS
 2.PLATING SPECIFICATION:
 2-1.CONTACTS:
 TIN/GOLD FLASH PLATED OVER ALL.
 2-2.SOLDER TABS:
 TIN/GOLD FLASH PLATED OVER ALL.
 3.ELECTRICAL PERFORMANCE:
 3-1.CURRENT RATING: 0.5A
 3-2.CONTACT RESISTANCE: 20 mΩ MAX
 3-3.INSULATION RESISTANCE: 100MΩ Min
 3-4.DIELECTRIC WITHSTANDING : 250V
 4.ENVIRONMENTAL PERFORMANCE:
 4-1.OPERATING TEMPERATURE: -40°C~+85°C.
 5.PACKAGE SPEC:REEL
 6.P/N:

BOTTOM CONTACT



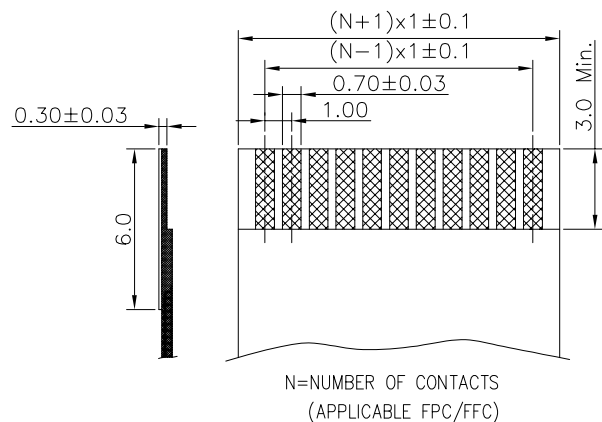
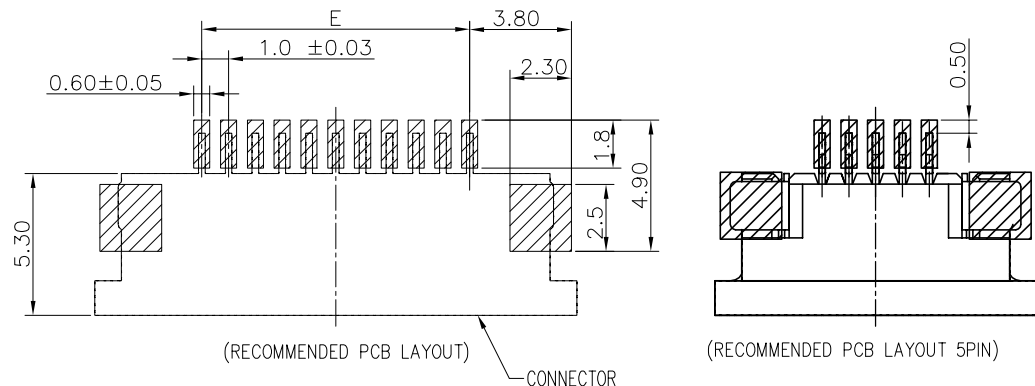
F1003 25 F 9-1 XX 2 X X X 01
 SERIES NO: [] CONTACT:
 1-UPPER CONTACT
 2-BOTTOM CONTACT
 HEIGHT: [] 25: 2.5mm
 COLOR:
 A-BLACK
 K-WHITE
 S-NATURE
 MALE FEMALE:
 F-FEMALE
 PLATING:
 A-ALL AU G/F
 C-BRIGHT TIN
 D-MATTE Tin
 ANGLE:
 9-90°
 ROW NO:
 1-SINGLE ROW
 PIN Q'PY: [] TERMIPOINT:
 02~34 2-SMT


REV.	REVISION RECORD	DATE		GENERAL TOLERANCES		SCALE: 1:1	NAME	DATE	PART.NO: F100325F9-1XX2XXX01	DWG.NO: ENDE05	 WanLian Technology Co., Ltd
A0	NEW RELEASE	22.07.07		LINEAR	ANGLES	APPROVED	Wang_jr	23.12.13			
A1	CHANGE DIMENSION	23.12.13		0.00±0.25	X°REF±6°	DESIGNER	Han_Gao	23.12.13	TITLE: FPC 1.0Pitch-H2.5卧贴上/下接触抽屉式	REV: A1	SHEET: 1/3
				UNIT:mm	X°±3°	DRAWN	LanXuan_Hou	23.12.13			
			SIZE: A4	0.000±0.10	X°X° ±2°						

The product using material and processing must conform to the "WI-PZ-001"HSF technical standard control requirements

RoHS

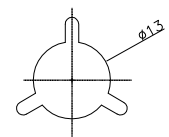
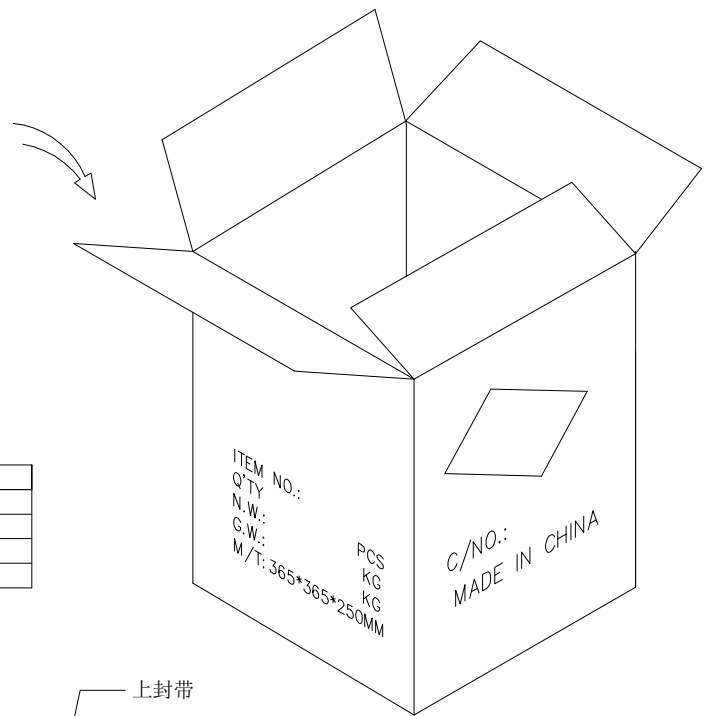
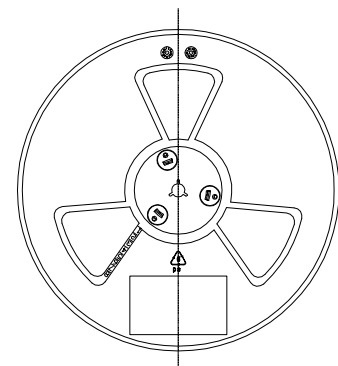
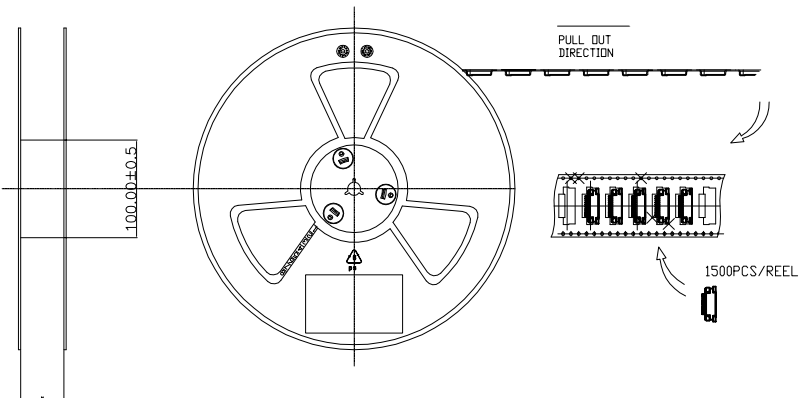
Circuit	Dimensions(mm)				
	A±0.25	B±0.15	C±0.25	D±0.10	E±0.15
04	10.00	3.00	11.00	5.15	3.00
05	11.00	4.00	12.00	6.15	4.00
06	12.00	5.00	13.00	7.15	5.00
07	13.00	6.00	14.00	8.15	6.00
08	14.00	7.00	15.00	9.15	7.00
09	15.00	8.00	16.00	10.15	8.00
10	16.00	9.00	17.00	11.15	9.00
11	17.00	10.00	18.00	12.15	10.00
12	18.00	11.00	19.00	13.15	11.00
13	19.00	12.00	20.00	14.15	12.00
14	20.00	13.00	21.00	15.15	13.00
15	21.00	14.00	22.00	16.15	14.00
16	22.00	15.00	23.00	17.15	15.00
17	23.00	16.00	24.00	18.15	16.00
18	24.00	17.00	25.00	19.15	17.00
19	25.00	18.00	26.00	20.15	18.00
20	26.00	19.00	27.00	21.15	19.00
21	27.00	20.00	28.00	22.15	20.00
22	28.00	21.00	29.00	23.15	21.00
23	29.00	22.00	30.00	24.15	22.00
24	30.00	23.00	31.00	25.15	23.00
25	31.00	24.00	32.00	26.15	24.00
26	32.00	25.00	33.00	27.15	25.00
27	33.00	26.00	34.00	28.15	26.00
28	34.00	27.00	35.00	29.15	27.00
29	35.00	28.00	36.00	30.15	28.00
30	36.00	29.00	37.00	31.15	29.00
31	37.00	30.00	38.00	32.15	30.00
32	38.00	31.00	39.00	33.15	31.00
33	39.00	32.00	40.00	34.15	32.00
34	40.00	33.00	41.00	35.15	33.00



REV.	REVISION RECORD	DATE	UNIT:mm	GENERAL TOLERANCES		SCALE: 1:1	NAME	DATE	PART.NO:	DWG.NO:	 WanLian Technology Co., Ltd
A0	NEW RELEASE	22.07.07		LINEAR	ANGLES	APPROVED	Wang_jr	23.12.13	F100325F9-1XX2XXX01	ENDE05	
A1	CHANGE DIMENSION	23.12.13	0.00±0.25	X'±3'	DESIGNER	Han_Gao	23.12.13	TITLE: FPC 1.0Pitch-H2.5卧贴上/下接触抽屉式	REV: A1	SHEET: 2/3	
			0.00±0.10	X'X' ±2'	DRAWN	LanXuan_Hou	23.12.13				

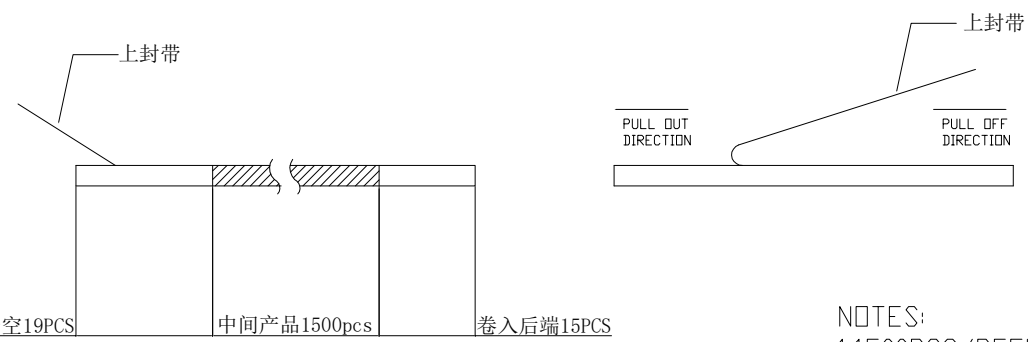
The product using material and processing must conform to the "WI-PZ-001"HSF technical standard control requirements

RoHS


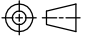


SPEC	012	016	020	028	038	050
H±0.20	8.5	12.5	16.5	24.5	32.5	44.5

Circuit	REEL SPEC	PCS/CARTON
4-8p	24mm	12000PCS
9-14p	32mm	9000PCS
15-26p	44mm	7500PCS
27-34p	56mm	6000PCS



NOTES:
1.1500PCS/REEL

REV.	REVISION RECORD	DATE	GENERAL TOLERANCES		SCALE:	NAME	DATE	PART.NO:	DWG.NO:	 WanLian Technology Co., Ltd
A0	NEW RELEASE	22.07.07	 LINEAR 0.0±0.35	ANGLES X°REF±6°	1:1	Wang_jr	23.12.13	F100325F9-1XX2XXX01	ENDE05	
A1	CHANGE DIMENSION	23.12.13			UNIT:mm 0.00±0.25	X'±3°	APPROVED	Han_Gao	23.12.13	TITLE: FPC 1.0Pitch-H2.5卧贴/下接触抽屉式
			SIZE: A4 0.000±0.10	X'X' ±2°	DESIGNER	LanXuan_Hou	23.12.13			REV: A1
					DRAWN					SHEET: 3/3